

Configuration Menu

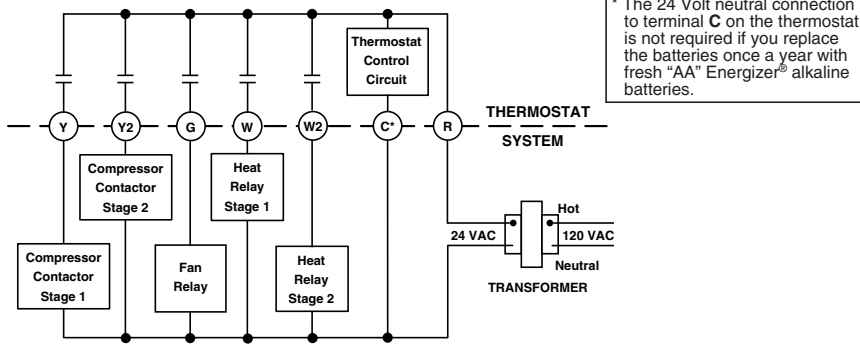
Step	1F81-261 Press Button(s)	1F83-261 Press Button(s)	Displayed (Factory Default)	Press \odot or \ominus to select:	COMMENTS
1	PRGM and RUN	N/A	HOLD (0:00)	0 to 8 hrs (in 15 minute increments)	Select temporary Hold time
2	HOLD*	Set SYSTEM switch to OFF and Press \odot and \ominus	\emptyset (FA)	SL	Select FA or SL (Fast or Slow) heating cycle rate
3	HOLD*	\odot and \ominus	d-L (ON)	OFF	Select display backlight OFF or ON
4	HOLD*	N/A	E (ON)	OFF	Select Energy Management Recovery OFF or ON
5	HOLD*	\odot and \ominus	Filter (000)	0 to 1950 hours (in 50 hour increments)	Select filter replacement run time
6	HOLD*	\odot and \ominus	LOC (OFF)	ON	Select compressor lockout OFF or ON
7	HOLD*	\odot and \ominus	0 HI (0)	4 LO to 4 HI	Select temperature display adjustment higher or lower
8	HOLD*	\odot and \ominus	$^{\circ}$ (F)	$^{\circ}$ C	Select temperature display to $^{\circ}$ F or $^{\circ}$ C
9	HOLD*	Set SYSTEM switch to HEAT or COOL	$\times 1 + 2\emptyset$ FA (ON)	OFF	Select ON to start 2nd stage immediately when the setpoint is manually raised more than 3 $^{\circ}$ F in HEAT or lowered more than 3 $^{\circ}$ F in COOL from room temperature
10	RUN	N/A			Returns to normal operation

* Press **HOLD** to advance to next item or **TIME** to move backwards to previous item

NOTE

The following wiring diagrams show typical terminal identification and wiring. For proper installation, refer to the original manufacturer's instructions.

Relay contacts shown are thermostatically operated.

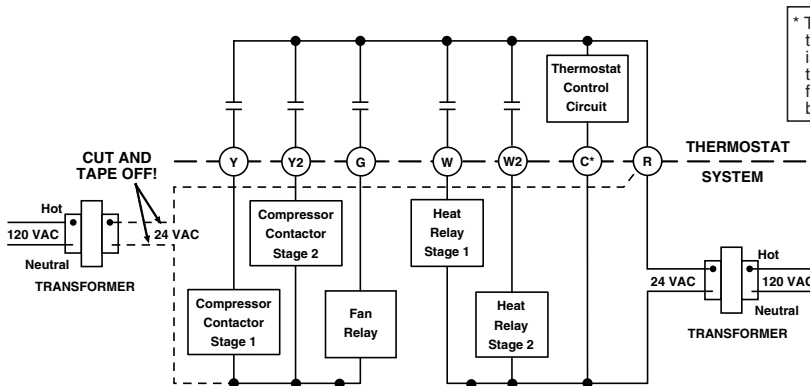


Typical wiring diagram for single transformer systems

* The 24 Volt neutral connection to terminal C on the thermostat is not required if you replace the batteries once a year with fresh "AA" Energizer[®] alkaline batteries.

Reset Operation: 1F81-261

If a voltage spike or static discharge blanks out the display or causes erratic thermostat operation, you can reset the thermostat by pressing \odot , \ominus and TIME at the same time. This also resets the factory defaults to the configuration menu and program. If the thermostat has power, has been reset and still does not function correctly, contact your heating/cooling service person or place of purchase.



Typical wiring diagram for two-transformer systems with NO safety circuits

* The 24 Volt neutral connection to terminal C on the thermostat is not required if you replace the batteries once a year with fresh "AA" Energizer[®] alkaline batteries.

Reset Operation: 1F83-261

If a voltage spike or static discharge blanks out the display or causes erratic thermostat operation, you can reset the thermostat by pressing \odot , \ominus and move the SYSTEM switch from OFF to HEAT at the same time. **This also resets the factory defaults to the configuration menu.** If the thermostat has power, has been reset and still does not function correctly, contact your heating/cooling service person or place of purchase.